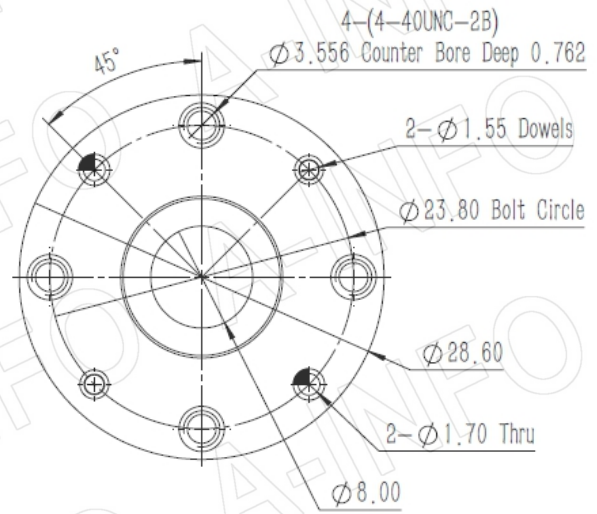
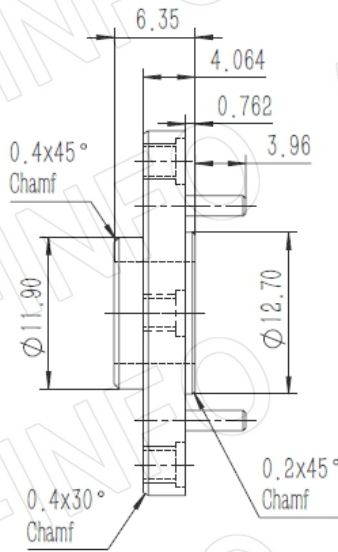


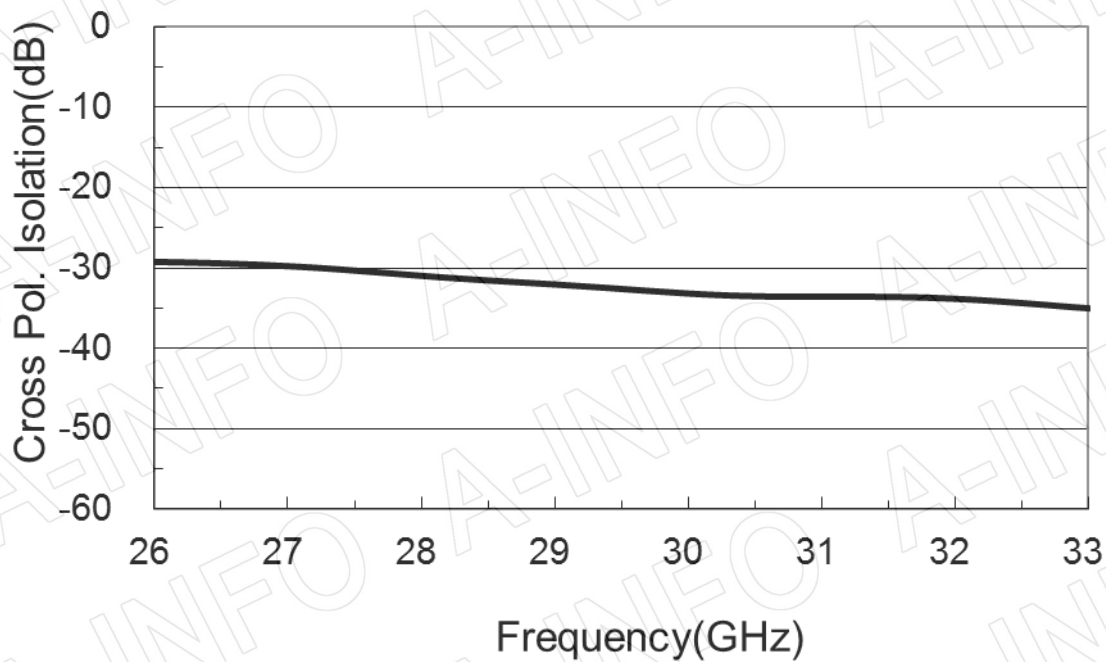
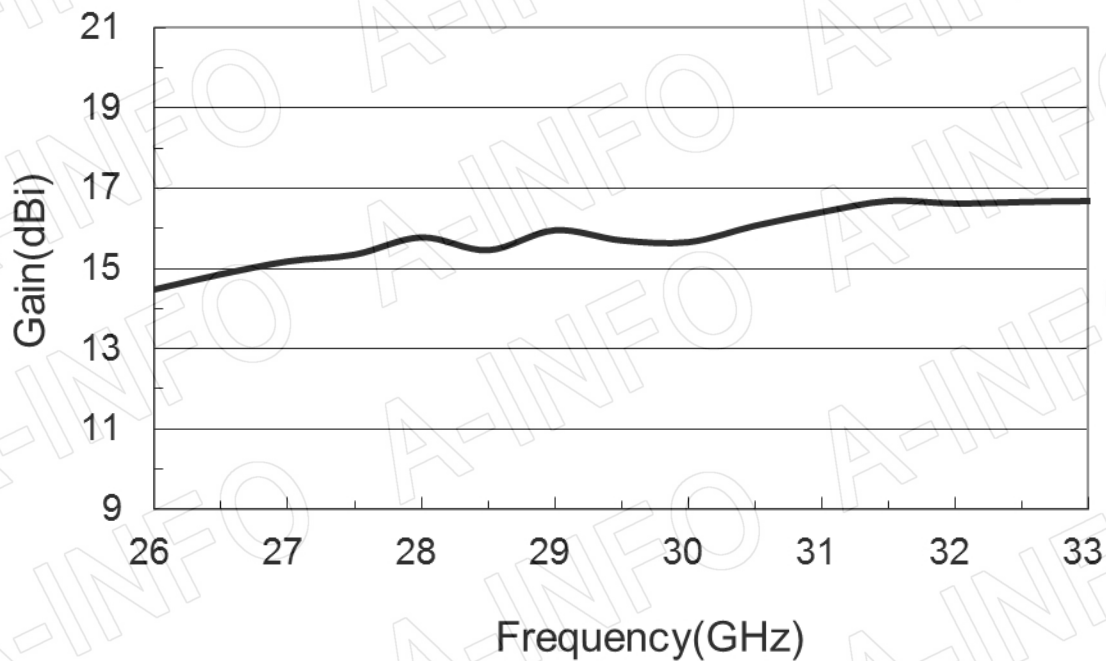
Flange Drawing (Size: mm)



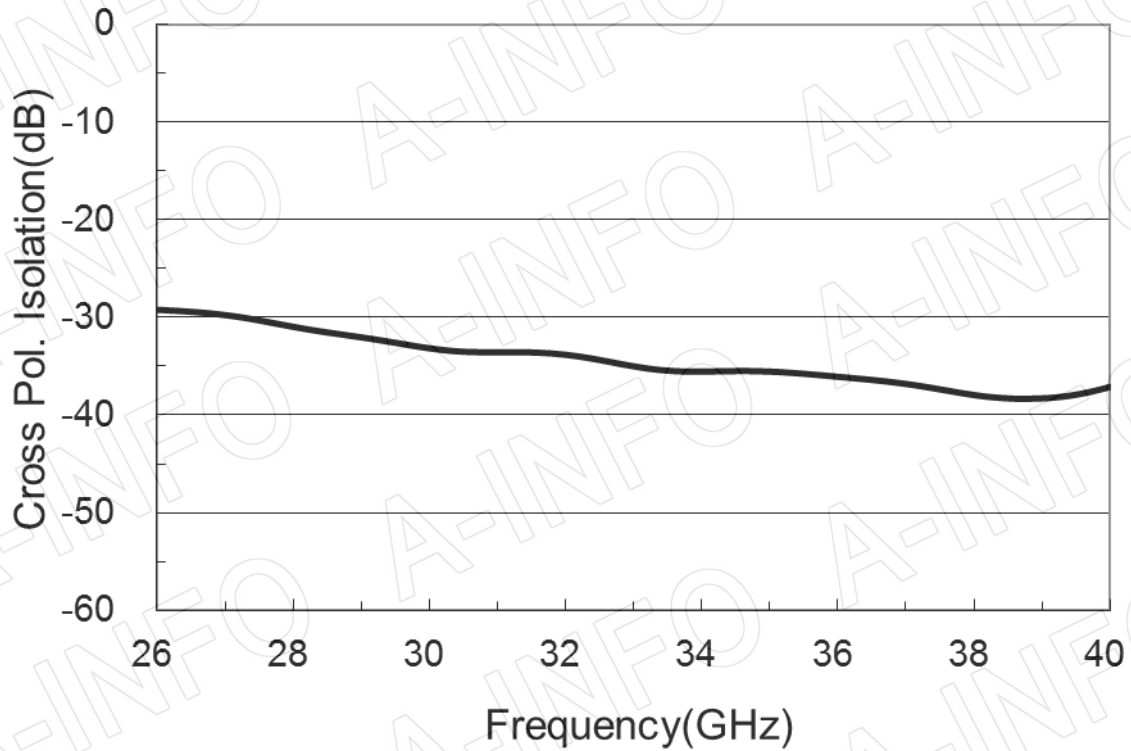
UG-381/U-M

Test Results (Including circular to rectangular transition)

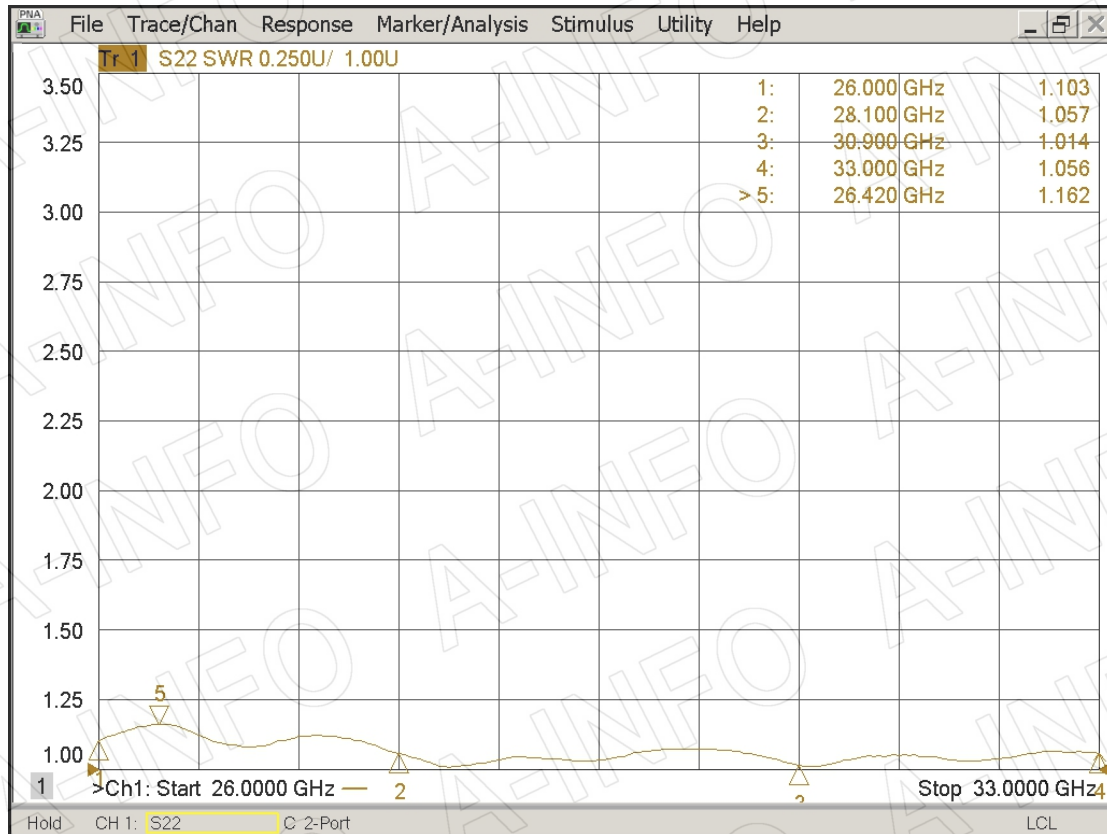
1. Gain & Antenna Factor



2. Cross Polarization Isolation



3. VSWR



4. Pattern

